

1193978
MIX 60 PLUS 230V 50HZ 0.55KW

3233049_1193978_R06W - R06W (13/11/2020)



Access Platform Division

Via San Francesco d'Assisi, 8 - 46020 Pegognaga (Mantova) - ITALY Tel. +39 0376
554011 - Fax +39 0376 559855

www.imergroup.com

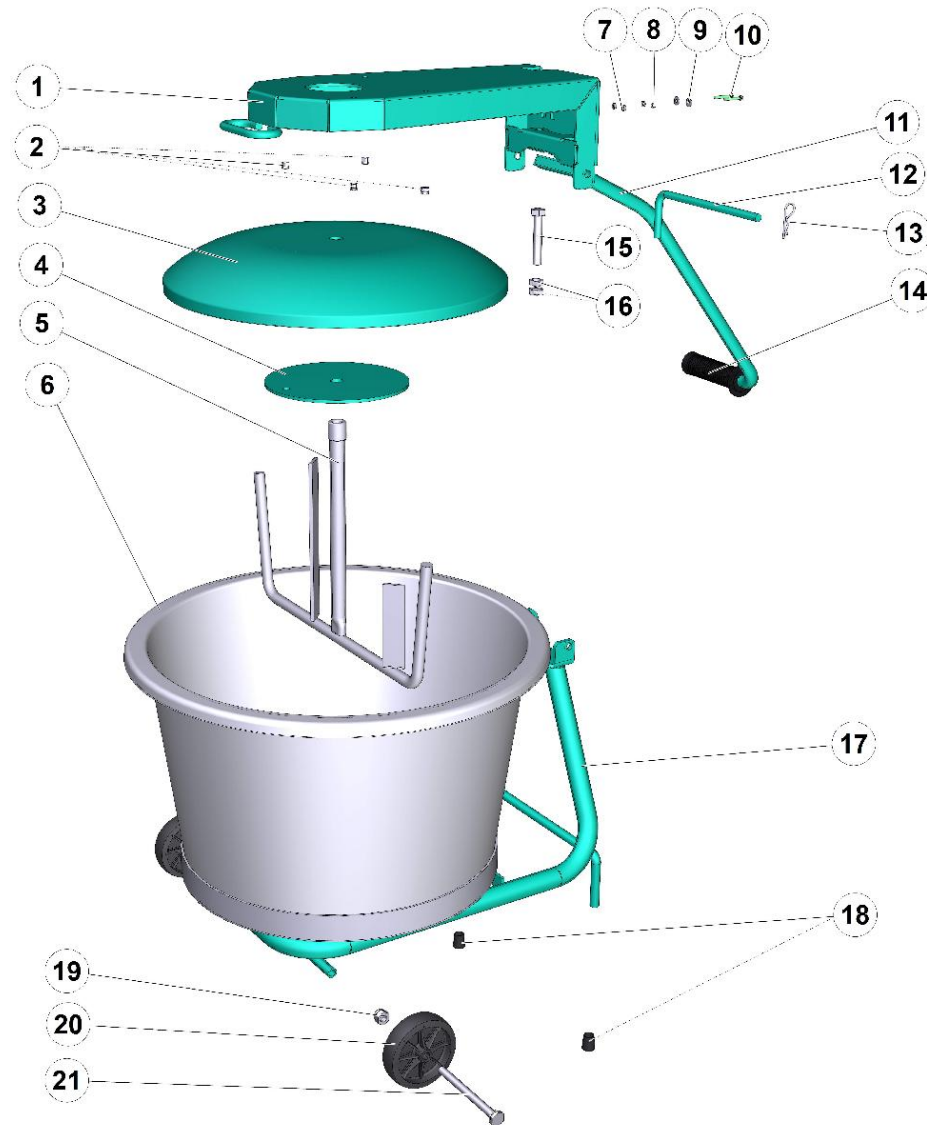
Building Equipment Division

Via della Meccanica, 39 (Zona Industriale Sentino) - 53040 Rapolano Terme
(Siena) - ITALY - Tel. +39 0577 97341 - Fax +39 0577 704077

www.imergroup.com

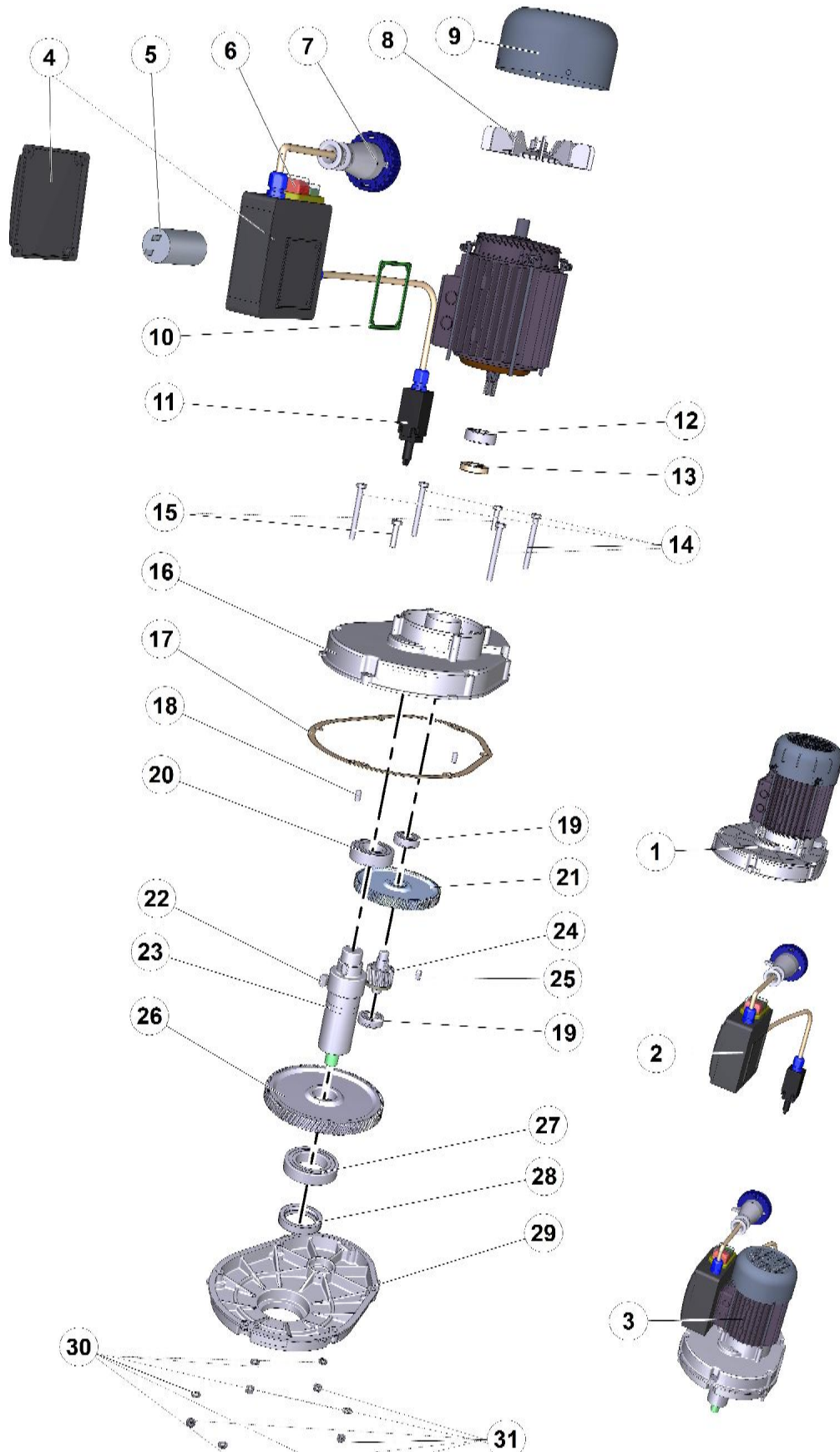
www.imerglobalcustomercare.com

FRAME DRUM





N.	CODE	DESCRIPTION	UM	QTY
1	3233048	SUPPORT	PZ	1.0
2	2223924	NUT	PZ	4.0
3	3236001	COVER 60L XT GREY	PZ	1.0
4	3205611	Blade	PZ	1.0
5	3205587	PADDLE COMP./MN	PZ	1.0
6	1193968	Kit 5 drums 60l for MIX 60 R1		1.0
7	2223500	NUT	PZ	2.0
8	2224950	ROLLER/MN	PZ	2.0
9	2224535	ROLLER/MN	PZ	2.0
10	3204186	SCREW	PZ	2.0
11	3205592	Handle	PZ	1.0
12	3205623	Pin	PZ	1.0
13	2226703	SPLIT PIN	PZ	1.0
14	2288885	HANDLE/SAW	PZ	1.0
15	2222083	SCREW	PZ	1.0
16	2223705	NUT	PZ	2.0
17	3206584	Frame	PZ	1.0
18	3205926	LEG CAP/MN	PZ	2.0
19	2223920	SELF-LOCKING NUT	PZ	2.0
20	3205257	WHEEL	PZ	2.0
21	2222154	SCREW	PZ	2.0

MOTOR ELECTRIC PANEL




N.	CODE	DESCRIPTION	UM	QTY
1	3234585	MOTOR MIX60 PLUS 220-240V 50HZ 0.55KW 2P	PZ	1.0
2	3233055	ELECTRIC CONTROL PANEL MIX60PLUS 230-220	PZ	1.0
3	3233060	MIX60PLUS GEARMOTOR 230V-50HZ 0.55KW 2P	PZ	1.0
4	3233065	MIX60PLUS BOX + ELECTRICAL SYSTEM COVER	PZ	1.0
5	3204255	CONDENSER	PZ	1.0
6	3209337	SWITCH	PZ	1.0
7	3203504	PIN	PZ	1.0
8	3210904	PLASTIC FAN/MN	PZ	1.0
9	3233097	MIX60PLUS FAN COVER MEC63 4 HOLES GALVAN	PZ	1.0
10	3209214	GASKET	PZ	1.0
11	3200005	DOWN LIMIT SWITCH	PZ	1.0
12	3208982	Bearing	PZ	1.0
13	3233059	STOP RING	PZ	1.0
14	2222012	SCREW	PZ	4.0
15	2222010	SCREW	PZ	2.0
16	3233104	REDUCTION GEAR CASING	PZ	1.0
17	3210482	GASKET	PZ	1.0
18	2228819	Gudgeon pin	PZ	2.0
19	2204420	Bearing	PZ	2.0
20	2204550	Bearing	PZ	1.0
21	3233061	GEAR Z.81 M.1,25 MIX 60 PLUS 2P	PZ	1.0



N.	CODE	DESCRIPTION	UM	QTY
22	2229500	KEY	PZ	1.0
23	3233056	SHAFT	PZ	1.0
24	3233054	SPROCKET Z.17 M.1,75 MIX 60 PLUS 2P	PZ	1.0
25	2229249	KEY	PZ	1.0
26	3233053	GEAR Z.80 M.1,75 MIX 60 PLUS 2P	PZ	1.0
27	2204504	Bearing	PZ	1.0
28	2207405	STOP RING	PZ	1.0
29	3210485	REDUCTION GEAR CASING	PZ	1.0
30	2224530	ROLLER/MN	PZ	6.0
31	2223260	NUT	PZ	6.0



Access Platform Division

Via San Francesco d'Assisi, 8 - 46020 Pegognaga (Mantova) - ITALY Tel. +39 0376
554011 - Fax +39 0376 559855

www.imergroup.com

Building Equipment Division

Via della Meccanica, 39 (Zona Industriale Sentino) - 53040 Rapolano Terme
(Siena) - ITALY - Tel. +39 0577 97341 - Fax +39 0577 704077

www.imergroup.com